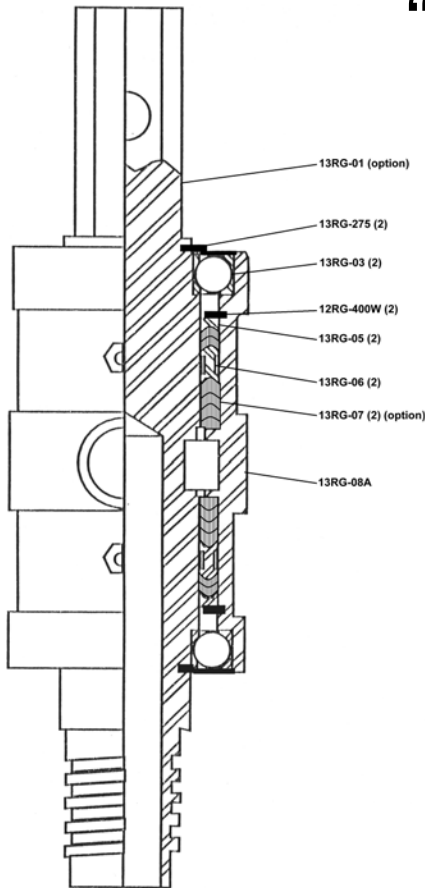


SIDE INLETS “SPECIAL SWIVEL” 13RG



- Manufactured from a high grade alloy steel
- WORKING PRESSURES TO 2000 PSI
- Can be used for mud and air drilling
- Proven CHEVRON PACKING, V-Ring
- Radial sealed ball bearing for smooth rotation
- Can be repaired if necessary in the field.
- Large selection of top and bottom connections
- Grease lubricated bearings and packing

TECHNICAL DATA

MODEL# LENGTH	OVERALL	WIDTH	WEIGHT LBS.	UPPER* CONN.	HOSE CONN.	LOWER + CONN.	WATER COURSE
13RG	19"	5-1/2"	50	1-5/8" OR 2"	1-1/2"	NW PIN	1-3/8"
						NWJ PIN	1-3/8"

PARTS LIST

PART NO.	DESCRIPTION	QTY REQ.	WT/LBS EACH	PRICE
13RG-4020-XX	WESTERN SIDE INLET SWIVEL 1 5/8" OR 2" MALE HEX TOP CONNECTION, 1 1/2" NPT FEMALE HOSE CONNECTION, WITH NW ROD RH PIN OR NWJ RH PIN LOWER CONNECTION			1150.88
	ADD FOR "SPECIAL STEM"			275.00
13RG-01QNW-RR	STEM, 1 5/8" MALE HEX BY NW RH PIN	OPTION	24.50	565.77
13RG-01RNW-RP	STEM, 2" MALE HEX BY NW RH PIN	OPTION	24.50	565.77
13RG-01QNWJ-RP	STEM, 1 5/8" MALE HEX BY NWJ RH PIN	OPTION	24.50	565.77
13RG-01RNWJ-RP	STEM, 2" MALE HEX BY NWJ RH PIN	OPTION	24.50	565.77
13RG-03	BEARING	2	2.20	76.00 ea
13RG-05	SEAT RING, PACKING	2	.30	79.36 ea
13RG-06	LANTERN RING	2	.40	103.75 ea
13RG-07	PACKING SET WITH MALE ADAPTER	2	.50	44.24 set
13RG-07-416	PACKING SET (LOW PRESSURE) WITH MALE ADAPTER	OPTION	.50	68.64 set
13RG-08A	PACKOFF HOUSING, 1 1/2" NPT FEMALE	1	19.00	662.13
13RG-02	RETAINER, BEARING	2	.10	4.76 ea
12RG-400W	RETAINER, PACKING	2	.10	11.92 ea

Other sizes of connections available, please consult factory.

Option for above swivel, may affect pricing of complete swivel. Other options available, please consult factory.

