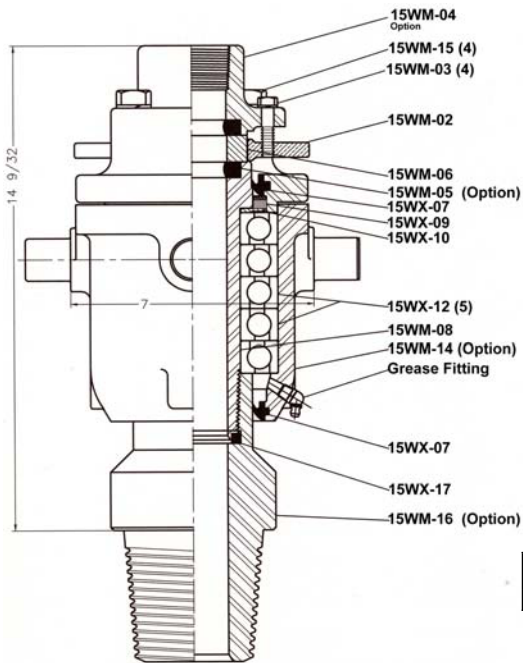


# 15WM



- For Drilling Rigs with Chain or Cable PULL DOWN
- Constructed from alloy steel for durability
- For MUD and AIR drilling
- Can be furnished with bail
- Trunnion Pins to 1-3/4"
- Thrust ball bearing for supporting pipe load and radial load
- Designed for easy service and field maintenance
- Choice of Lower Connection Threads

## TECHNICAL DATA

PACKING	LENGTH OVERALL	WT/LBS EACH	HOSE CONN. FEMALE	LOWER CONN.	WORKING PRESSURE	FLUID OPENING
FIXED	19 1/2"	80	2" NPT	2 7/8" IF LH	To 300 PSI	2"

## SAFE WEIGHT LOADS

STATIC LOAD	ROTATING LOAD	DRILL DEPTH	SIZE/WT/FT
30,000 LBS.	27,000 LBS. @ 100 RPM	2,700 FT	2 3/8" / 6.65 LBS
		1,800 FT	2 7/8" / 10.4 LBS

## PARTS LIST

PART NO.	DESCRIPTION	WT/LBS	QTY. REQ.	PRICE
<b>15WM-3600-XX</b>	WESTERN SWIVEL, LESS BAIL, 2" NPT FEMALE HOSE CONNECTION, FOUR (4) PULLDOWN TRUNNION PINS, WITH 2 7/8" IF LH PIN LOWER CONNECTION			2819.50
	ADD FOR BAIL			600.54
	ADD FOR SPECIAL LOWER CONNECTION			375.00
15WM-01	BAIL	25.00	1	600.54
15WM-02	+ WEARBUSHING RETAINER	3.00	1	185.05
15WM-03	BOLT AND LOCKWASHER, W/B RETAINER	.10	4	3.00 ea
15WM-04	GOOSENECK, 2" NPT FEMALE HOSE CONNECTION	24.00	1	789.85
15WM-05	+ PACKING	.12	2	14.00 ea
15WM-05-90	PACKING, 90 DURO (HIGH PRESSURE)	.12	Option	14.00 ea
15WM-05V	PACKING, VITON	.12	Option	42.56 ea
15WM-06	+ WEARBUSHING	1.00	1	61.06
15WX-07	+ HOUSING SEALS	.25	2	23.01 ea
15WX-07V	HOUSING SEALS VITON	.25	Option	54.77
15WM-08	BEARING SPINDLE	10.00	1	457.09
15WX-09	+ SHIELD SEAL	.20	1	41.55
15WX-10	+ BEARING SHIELD	.25	1	58.55
15WX-12	+ BEARINGS	5.00	5	153.85 ea
15WM-14A	BEARING HOUSING, (4) 1 3/4" OD ON 7" SHOULDERS	24.00	1	1365.01
15WM-15	STUDS AND NUTS, BEARING HOUSING	.75	4	11.98 ea
15WM-16GD-LP	LOWER CONNECTION, 2 7/8" OD 8-V LH PIN	12.00	1	966.81
15WM-16GE-LP	LOWER CONNECTION, 2 7/8" IF LH PIN	12.00	1	591.81
15WM-16FE-LP	LOWER CONNECTION, 2 3/8" IF LH PIN	12.00	1	966.81
15WX-17	+ SPINDLE THREAD SEAL	.06	1	12.78
15WM-40	MAINTENANCE KIT (8) 15WM-05 (1) 15WM-06			164.41
15WM-40R	REPAIR KIT + Included in repair kit			1142.15

Other sizes of connections available, please consult factory.

Option for above swivel, may affect pricing of complete swivel. Other options available, please consult factory.

