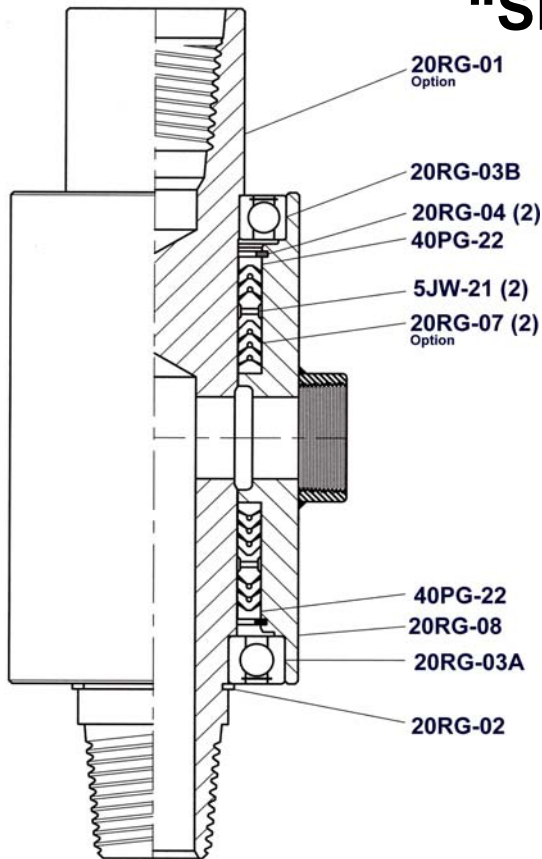


# SIDE INLETS "SPECIAL SWIVEL"

## 20RG



- Three (3) sizes for proper watercourse and torque selection
- Manufactured from a high grade alloy steel
- WORKING PRESSURES TO 2000 PSI
- Can be used for mud and air drilling
- Proven CHEVRON PACKING, V-Ring
- Radial sealed ball bearing for smooth rotation
- Can be repaired if necessary in the field.
- Large selection of top and bottom connections
- 20RG can be provided with an AUGER DRIVE CAP.

### TECHNICAL DATA

MODEL#	OVERALL LENGTH	WIDTH	WEIGHT LBS.	UPPER* CONN.	HOSE CONN.	LOWER* CONN.	WATER COURSE
20RG	21"	6"	75	1-5/8" OR 2"	2"	2-3/8" IF	1-3/4"
						2-7/8" IF	2"

### PARTS LIST

PART NO.	DESCRIPTION	QTY REQ.	WT/LBS EACH	PRICE
<b>20RG-4030-XX</b>	WESTERN SIDE INLET SWIVEL, 1 5/8" OR 2" MALE HEX TOP CONNECTION, 2" NPT FEMALE HOSE CONNECTION, WITH 2 3/8" OR 2 7/8" IF RH PIN LOWER CONNECTION			1717.61
	ADD FOR "SPECIAL STEM" OR DRILLING FOR DRIVE CAP			275.00
	ADD FOR "DRIVE CAP ADAPTER"			242.90
20RG-01QFE-RP	SHAFT, 1 5/8" MALE HEX BY 2 3/8" IF RH PIN	OPTION**	32.00	1308.97
20RG-01RFE-RP	SHAFT, 2" MALE HEX BY 2 3/8" IF RH PIN	OPTION**	35.00	1308.97
20RG-01QGE-RP	SHAFT, 1 5/8" MALE HEX BY 2 7/8" IF RH PIN	OPTION**	35.00	1308.97
20RG-01RGE-RP	SHAFT, 2" MALE HEX BY 2 7/8" IF RH PIN	OPTION**	38.00	1308.97
20RG-01RGE-RPPC	SHAFT, 2" MALE HEX BY 2 7/8" IF RH PIN (FOR DRIVE CAP ADAPTER)	OPTION**	38.00	1583.97
20RG-02	RETAINER, BEARING	1	.10	11.48 ea
20RG-03A	BEARING, TOP	1	2.60	135.24
20RG-03B	BEARING, BOTTOM	1	2.60	135.24
20RG-04	RETAINER, PACKING	2	.10	16.46 ea
20RG-07	PACKING SET WITH MALE ADAPTER	2	.60	55.70 set
20RG-07-416	PACKING SET (LOW PRESSURE) WITH MALE ADAPTER	OPTION	.60	81.79 set
20RG-08A	PACKOFF HOUSING, 2" NPT FEMALE	1	28.00	680.84
20RG-45	DRIVE CAP ADAPTER	OPTION	8.00	242.90
40PG-22	SEAT RING, PACKING	2	.40	79.36 ea
5JW-21	LANTERN RING	2	.50	112.89 ea

Other sizes of connections available, please consult factory.

Option for above swivel, may affect pricing of complete swivel. Other options available, please consult factory.

