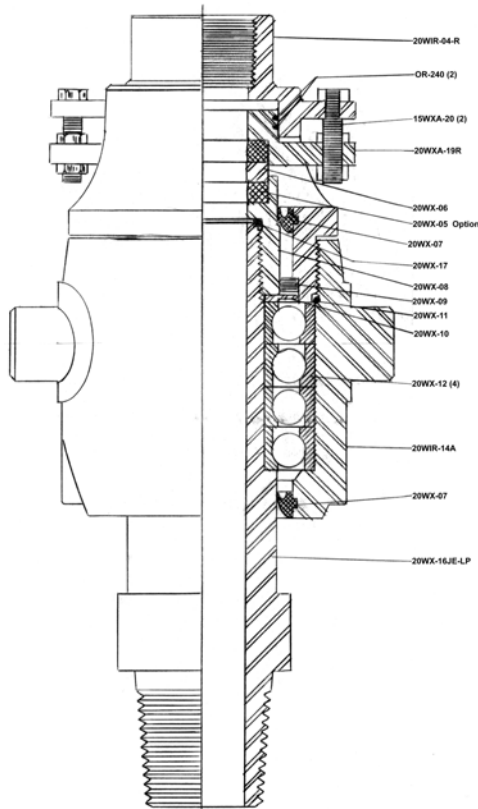


# 20WIRA SWIVEL

## Adjustable Packing Swivel



- For the TH-55 and TH-60 drills
- Alloy steel construction for strength and durability
- For MUD and AIR drilling
- Trunnion pins to 2"
- Thrust ball bearings for supporting pipe load and radial load
- Designed for easy service and field maintenance
- Equal hoisting and pull down load capacity
- Longer Spindle available
- **ADJUSTABLE PACKING**

### TECHNICAL

MODEL #	PACKING	LENGTH OVERALL	WT/LBS EACH	HOSE CONN. FEMALE	LOWER CONN.*	WATER PRESSURE	WORKING OPENING
20WIRA	ADJUSTABLE	24-1/2"	138	3" NPT	3-1/2" IFLH	2-1/2"	To 300 PSI

### SAFE WEIGHT LOADS

MODEL #	STATIC LOAD	ROTATING LOAD	DRILL DEPTH	SIZE/WT/FT
20WIRA	40,000 LBS.	27,000 LBS. @ 100 RPM	1,800 FT	2-7/8" / 10.4 LBS
			1,400 FT	3-1/2" / 13.3 LBS

### PARTS LIST

PART NO.	DESCRIPTION	QTY. REQ.	PRICE
<b>20WIRA-3521-XX</b>	WESTERN SWIVEL, 3" NPT FEMALE HOSE CONNECTION WITH <b>ADJUSTABLE PACKING</b> , TWO (2) 2" OD TRUNNION PINS ON 7 1/2" SHOULDER WITH 3 1/2" IF LH PIN LOWER CONNECTION		3975.69
	ADD FOR LONG 3 1/2" IF LH PIN LOWER CONNECTION		CONSULT
20WIRA-04-R	GOOSENECK	1	1160.88
20WX-05	+ PACKING	2	15.34 ea
20WX-05-90	PACKING, 90 DURO	Option	15.34
20WX-06	+ WEARBUSHING	1	46.90
20WX-07	+ HOUSING SEAL	2	24.16 ea
20WX-08	SPINDLE NUT	1	316.38
20WX-09	+ SHIELD SEAL	1	41.55
20WX-10	+ BEARING SHIELD	1	60.09
20WX-11	RETAINER WIRE	1	10.36
20WX-12	+ BEARINGS	4	197.90 ea
20WIR-14A	BEARING HOUSING	1	1446.00
15WX-15	LOCK BOLT AND NUT	1	7.84
20WX-16JE-LP	SPINDLE 3 1/2" IF LH PIN	1	989.13
20WX-16XJE-LP	SPINDLE, 3 1/2" IF LH PIN, LONG	Option	CONSULT
20WX-17	+ SPINDLE THREAD SEAL	1	18.48
20WXA-19-R	ADJUSTING GLAND	1	310.32
15WXA-20	ADJUSTING BOLT	2	29.12 ea
OR-240	+ O RING	2	4.00 ea
20WX-40	MAINTENANCE KIT (8) 20WX-05, (1) 20WX-06	Option	161.14
20WXA-40R	REPAIR KIT + Included in Repair Kit	Option	993.34

Other sizes of connections available, please consult factory.

Option for above swivel, may affect pricing of complete swivel. Other options available, please consult factory.

