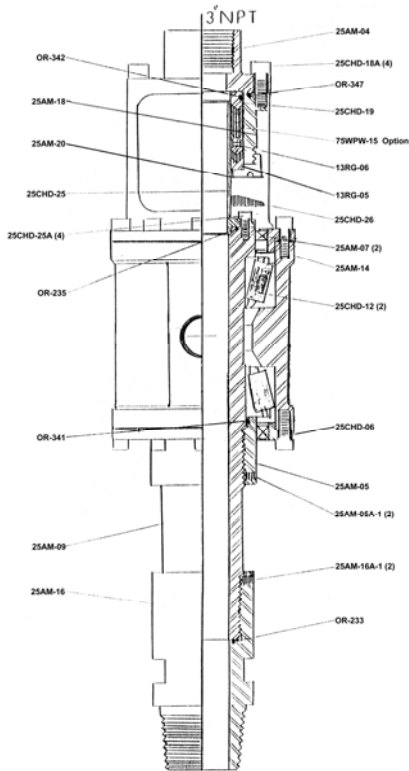


25AM



- Adjustable Chevron packing
- 2 ½ Fluid Passage
- For Pulldown Rigs
- Adjustable Packing
- Grease Lubricated Packing & Bearing
- Adjustable tapered roller bearings
- Bolt in packing capsule (Quick Change)

TECHNICAL

LENGTH	WIDTH	WEIGHT	HOSE CONN.	LOWER CONN.	FLUID PASSAGE	WORKING PRESSURE
	9 1/8		3" NPT	3 ½" IF	2 ½"	TO 1500 PSI

WEIGHT CAPACITY

STATIC	ROTATING
60,000 LBS	28,000 LBS @ 100 RPM

PARTS LIST

PART NUMBER	NAME	QTY. REQ.	PRICE
25AM-8010-XX	SWIVEL, HIGH PRESSURE WITH ADJUSTABLE PACKING, 3" HOSE CONNECTION WITH 2" OD PINS ON 9 1/8" SHOULDERS WITH 3 ½" IF LH PIN LOWER CONNECTION		6649.06
13RG-05	PACKING SEAT RING	1	79.36
13RG-06	LANTERN RING	1	103.75
25AM-18	PACKING BOX	1	813.90
25AM-20	PACKING ADJUSTING GLAND	1	743.85
25AM-04	BONNET 3" NPT HOSE STRAIGHT UP	1	1184.06
25AM-05	BEARING NUT	1	422.13
25AM-05A-1	SET SCREWS, ADJUSTING NUT	2	3.81 ea
25CHD-06	LOWER SEAL BOX	1	396.37
25AM-07	HOUSING SEAL	2	43.48 ea
25CHD-26	MUD SLINGER	1	14.07
25AM-09	BEARING SPINDLE	1	1247.26
25CHD-12	BEARINGS (CUP AND CONE)	2	CONSULT ea
25AM-16	LOWER SUB, 3 ½" IF LH PIN	1	1025.67
25AM-16A-1	SET SCREWS, LOWER SUB	2	5.60 ea
25CHD-19	PACKING GLAND	1	136.92
25CHD-25	WASHPIPE	1	286.81
25CHD-25A	CAP SCREWS, WASHPIPE	4	5.60 ea
OR-233	O RING (SPINDLE THREAD SEAL)	1	4.00
OR-235	O RING (WASHPIPE)	1	4.00
OR-341	O RING (BEARING ADJUSTING NUT)	1	4.00
OR-342	O RING (PACKING GLAND)	1	4.00
OR-347	O RING (PACKING BOX)	1	4.00
25DM-14	BEARING HOUSING, 2" OD PINS ON 9 1/8" SHOULDERS	1	1936.70
75WPW-15	PACKING SET	1	52.42
75WPW-15-416	PACKING SET (LOW PRESSURE)	Option	78.88

Other sizes of connections available, please consult factory.

Option for above swivel, may affect pricing of complete swivel. Other options available, please consult factory.

