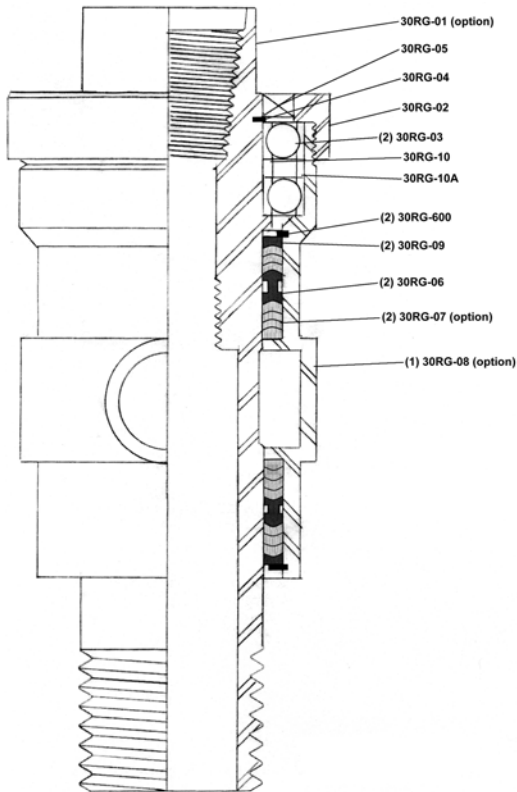


SIDE INLET SWIVEL

30RG

SPECIAL SWIVEL

Obsolete – Parts Only



- Can be used to increase fluid passage, maximum of 2-1/2" ID
- Models for both WATER WELL and MINERAL EXPLORATION drilling
- Can be used for both air and mud rotary drilling
- Sealed radial ball bearings for smooth rotation
- Non adjustable Chevron (V-ring) packing, grease lubricated
- Compact design
- Can be easily repaired in the field if necessary
- Available with numerous thread forms and sizes

TECHNICAL DATA

OVERALL LENGTH	WIDTH	TOP* CONN.	HOSE CONN.	LOWER* CONN	WATERCOURSE	WT/LB
21"	8"	3-1/2" REG BOX	2-1/2"	3-1/2" IF PIN	2-1/2"	150
21"	8"	3-1/2" REG BOX	2-1/2"	3-1/2" REG PIN	1-1/2"	150

PARTS LIST

PART NUMBER	NAME	NUMBER REQ	WT/LBS EACH	RECOMMENDED SPARES FOR (1) YEAR	PRICE
30RG-4040-XX	WESTERN SIDE INLET	NOT AVAILABLE			Consult
30RG-01	SHAFT**	1	95.00	----	Consult
30RG-02	BEARING CAP	1	12.00	----	Consult
30RG-03	BEARINGS	2	3.50	2	265.09 ea
30RG-04	BEARING RETAINER	1	.10	1	65.33
30RG-05	GREASE SEAL	1	.30	1	134.18
30RG-06	LANTERN RING	2	.70	----	111.61 ea
30RG-07	PACKING SET WITH MALE ADAPTER	2	.70	2	94.06 set
30RG-07-416	PACKING SET W/MALE ADAPTER (LOW PRESSURE)	OPTION	.70	----	94.06 set
30RG-08A	PACK OFF HOUSING, 2 1/2" NPT FEMALE HOSE CONNECTION	1	40.00	----	Consult
30RG-09	PACKING SEAT RING	2	.50	----	128.92 ea
30RG-10	BEARING SPACER, INNER	1	1.00	----	81.55
30RG-10A	BEARING SPACER, OUTER	1	1.00	----	81.55
30RG-600	PACKING RETAINER	2	.10	2	41.30 ea

Other sizes of connections available, please consult factory.

Option for above swivel, may affect pricing of complete swivel. Other options available, please consult factory.

