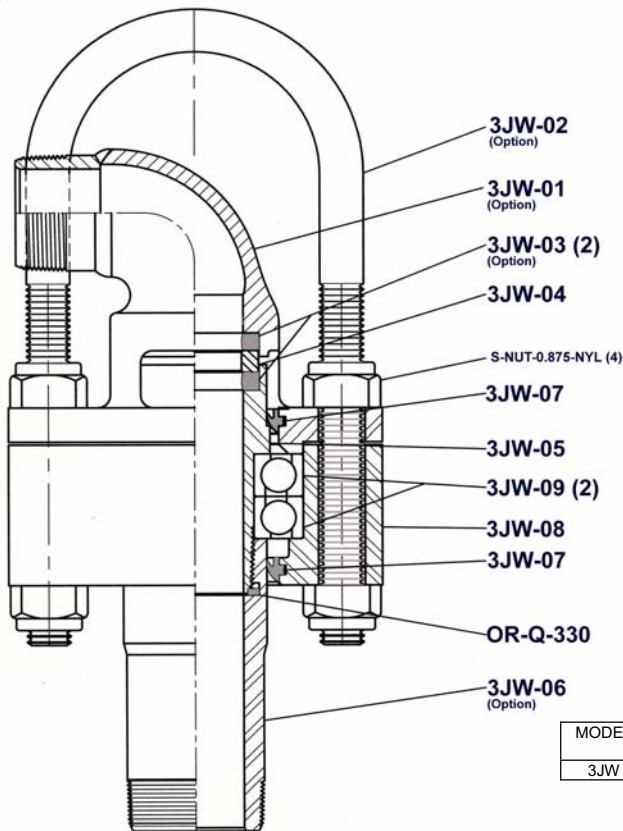


3JW



- For all types of drilling
- For rotating speed to 500 RPM
- Constructed from a high grade alloy steel
- Grease lubricated thrust ball bearings in a sealed housing
- Available with or without stiff bail
- Compact
- Simple design allows for easy field maintenance and repair
- Choice of lower connection threads

TECHNICAL DATA

MODEL	LENGTH	WT/LBS	HOSE CONN.	LOWER CONN* RH OR LH NPT	WATER COURSE	WORKING PRESSURE
3JW	19"	36	2" PIN	2" OR 2-1/2" PIN	MAX. 2"	300 PSI

CAPACITIES & SAFE DRILL DEPTHS

MODEL	STATIC LOAD	ROTATING LOADS	ROTATING SPEED	DRILL DEPTH	PIPE SIZE
3JW	10,000 LBS.	7,200 LBS.	100 RPM	2000 FT	2" STANDARD PIPE

PARTS LIST

PART NO.	NAME	WT/LBS	QTY. REQ.	PRICE
3JW-2030-XX	WESTERN SWIVEL, BAIL, 2" NPT MALE OR FEMALE HOSE CONNECTION, WITH 2" RIGHT OR LEFT HAND PIN LOWER CONNECTION			1001.68
	ADD FOR SPECIAL LOWER CONNECTION			155.00
3JW-01	GOOSENECK, 2" NPT MALE HOSE CONNECTION	8.00	Option	418.66
3JW-02	BAIL WITH NUTS	6.00	1	114.44
3JW-02L	BAIL, LONG WITH NUTS	7.50	Option	139.17
3JW-02A	STUDS WITH NUTS	2.00	Option	17.47
3JW-03	+ PACKING	.06	2	10.89 ea
3JW-03-90	PACKING, 90 DURO	.06	Option	10.89 ea
3JW-03V	PACKING VITON	.06	Option	32.26 ea
3JW-04	+ WEARBUSHING	.25	1	31.00
3JW-05	BEARING SPINDLE	3.00	1	201.10
3JW-06EA-RP	LOWER CONNECTION, 2" NPT RH PIN	4.00	Option	244.61
3JW-06EA-LP	LOWER CONNECTION, 2" NPT LH PIN	4.00	1	244.61
3JW-06TA-RP	LOWER CONNECTION, 2 1/2" NPT RH PIN	6.00	Option	399.61
3JW-06TA-LP	LOWER CONNECTION, 2 1/2" NPT LH PIN	6.00	Option	399.61
3JW-07	+ HOUSING SEAL	.25	2	24.71 ea
3JW-07V	HOUSING SEAL VITON	.25	Option	44.74 ea
3JW-08	BEARING HOUSING	9.00	1	297.30
3JW-09	+ BEARING	3.00	2	109.17 ea
OR-Q-330	+ SPINDLE THREAD SEAL	.06	1	9.13
3JW-40	MAINTENANCE KIT (8) 3JW-03 (1) 3JW-04			112.21
3JW-40R	REPAIR KIT + Included in Repair Kit			313.19

Other sizes of connections available, please consult factory.

Option for above swivel, may affect pricing of complete swivel. Other options available, please consult factory.

