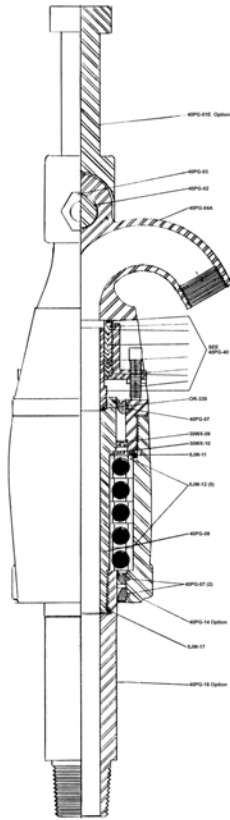


## 40PG SWIVEL

- For DEEP WATER WELL, WORKOVER, and SHALLOW OIL WELL Drilling
- Hardened ground WASHPIPE and CHEVRON (V-Ring) PACKING, grease lubricated
- Oversized WATERCOURSE, 3" ID
- Flexible BAIL or ELEVATOR SHANK available
- Adjustable Packing
- Packing can be changed quickly without disassembling swivel.
- Thrust ball bearings support drill pipe load while providing radial capacity.
- Seal Bearing Case with grease lubrication
- TRUNNION PINS available for pull down rigs
- Large choice of optional Lower Connections Threads
- Designed for easy field service and maintenance



### TECHNICAL

MODEL #	LENGTH OVERALL	WT/LBS EACH	HOSE CONN. FEMALE	LOWER CONN* PIN	WATER COURSE	WORKING PRESSURE	BAIL OPENING
40PG	57"	347	3" NPT	4-1/2" OD 8-V LH	MAX. 3" ID	To 1500 PSI	6" X 14"

### SAFE WEIGHT LOADS

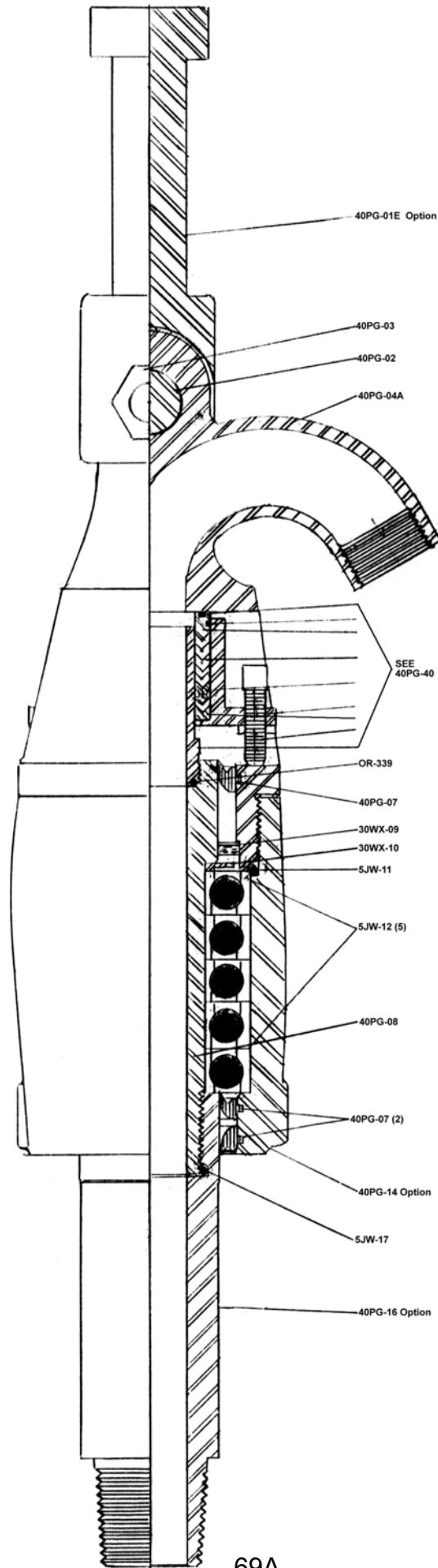
MODEL #	STATIC LOAD	ROTATING LOAD	SAFE DEPTH			
			2-3/8", 6.65	2-7/8", 10.4	3-1/2", 13.3	4-1/2", 16.6
40PG	140,000 LBS.	71,000 LBS. @ 100 RPM	8,000 FT	5,000 FT	3,800 FT	3,000 FT

### PARTS LIST

PART NUMBER	NAME	QTY. REQ.	PRICE
<b>40PG-6000-XX</b>	WESTERN SWIVEL, LESS BAIL OR ELEVATOR SHANK 3" NPT FEMALE HOSE CONNECTION, WITH 4 1/2" OD 8 V LH PIN LOWER CONNECTION		8105.26
	ADD FOR BAIL		957.26
	ADD FOR ELEVATOR SHANK (3 1/2" OD OR SMALLER)		2614.35
	ADD FOR TRUNNION PINS		280.00
	ADD FOR "SPECIAL" LOWER CONNECTION		375.00
40PG-01	BAIL	Option	957.26
40PG-01E	ELEVATOR SHANK (3 1/2" OR SMALLER)	Option	2614.35
40PG-02	BAIL PIN	1	396.99
40PG-03	BAIL PIN NUT	2	35.73 ea
40PG-04A	GOOSENECK, 3" NPT FEMALE HOSE CONNECTION	1	2098.58
40PG-07	HOUSING SEAL	3	30.81 ea
40PG-08	BEARING SPINDLE	1	1138.55
30WX-09	SHIELD SEAL	1	60.09
30WX-10	BEARING SHIELD	1	73.24
5JW-11	BEARING RETAINER WIRE	1	12.88
5JW-12	BEARING UPTHURST / DOWNTHRUST	5	279.26 ea
40PG-14B	BEARING HOUSING	1	1768.75
40PG-14A	BEARING HOUSING W/PINS, 2" OD on 8 15/16" SHOULDERS	Option	2048.75
15WX-15	HOUSING LOCK BOLT AND NUT	1	7.84
40PG-16KD-LP	LOWER CONNECTION, 4 1/2" OD 8V LH PIN	1	1157.00
40PG-16JG-LP	LOWER CONNECTION, 3 1/2" FULL HOLE LH PIN	Option	1532.00
40PG-16JE-LP	LOWER CONNECTION, 3 1/2" IF LH PIN	Option	1532.00
5JW-17	SPINDLE THREAD SEAL	1	18.48
40PG-40	PACKING CAPSULE	1	1021.29

Other sizes of connections available, please consult factory.

Option for above swivel, may affect pricing of complete swivel. Other options available, please consult factory.



69A