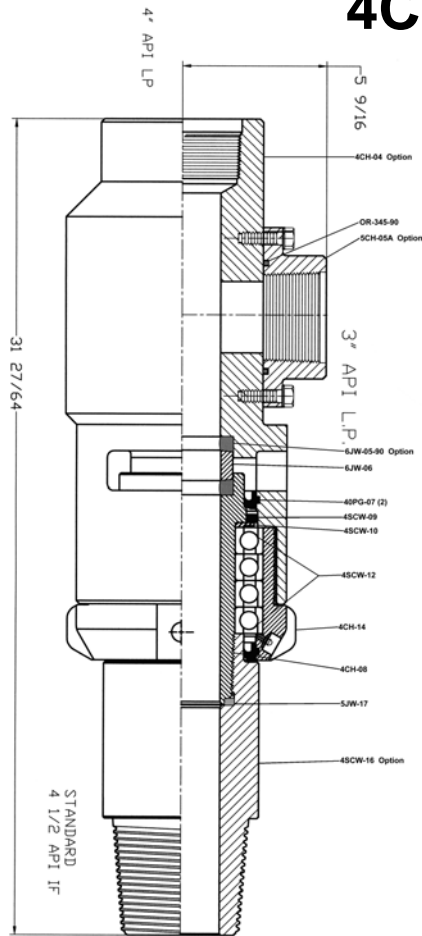


4CH – 3,000 PSI RATED



- Circulating head
- Alloy steel construction
- Angular contact ball bearings for ample pressure and radial load support
- Grease lubricated bearing
- Optional connection available

TECHNICAL

LENGTH	WIDTH	WEIGHT	UPPER CONN.	HOSE CONN.	LOWER CONN.	FLUID PASSAGE	WORKING PRESSURE
34 1/2"	11"	232 LBS	4" LP FEMALE	3" NPT FEMALE	4 1/2 IF RH PIN	3"	TO 3000 PSI

WEIGHT CAPACITY

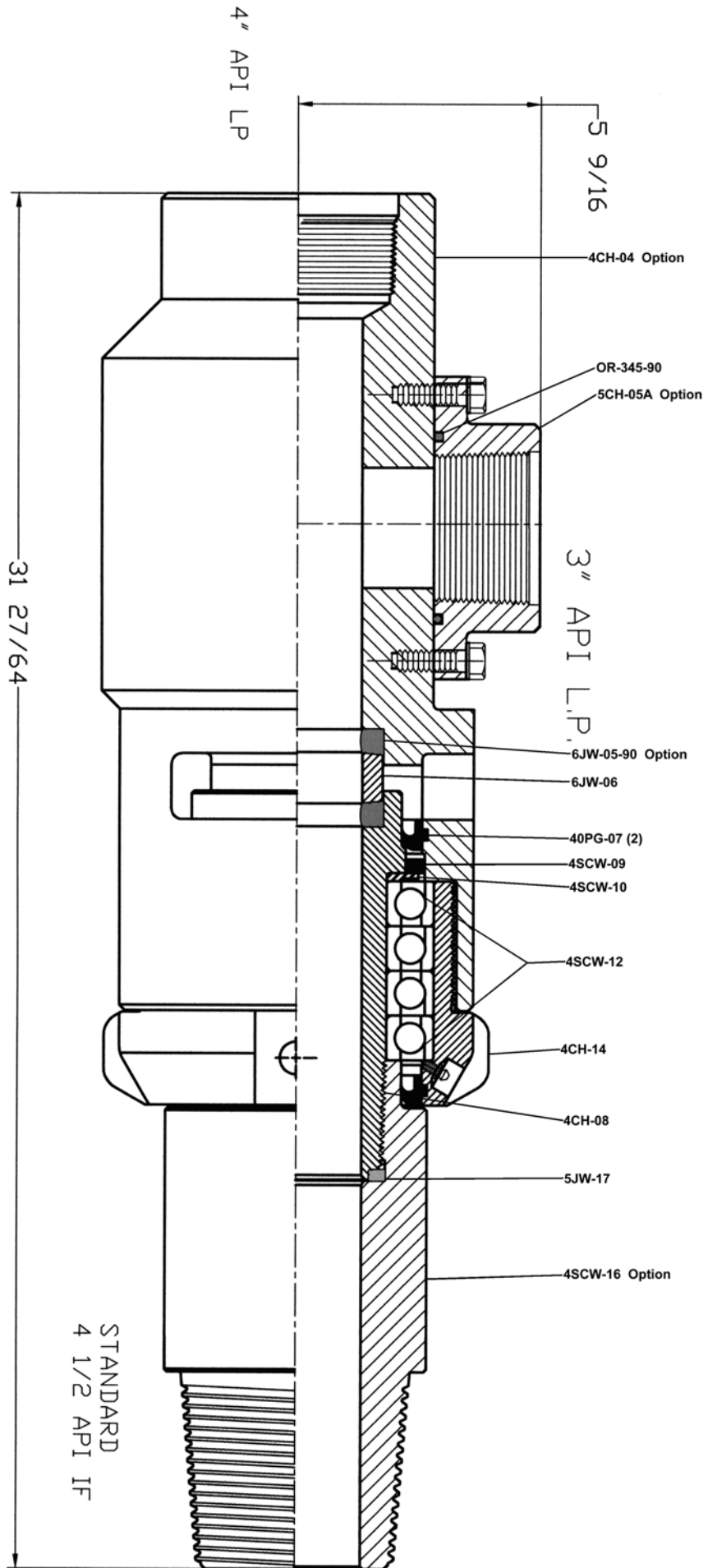
Designed for pressure load only

PARTS LIST

PART NUMBER	NAME	QTY. REQ.	PRICE
4CH-6910-XX	WESTERN CIRCULATING HEAD, 4" FEMALE LINE PIPE UPPER CONNECTION, 3" NPT FEMALE HOSE CONNECTION WITH 4 1/2" IF RH PIN LOWER CONNECTION		5348.00
	ADD FOR 3 1/2" IF RH PIN LOWER CONNECTION		250.00
4CH-04	GOOSENECK/BODY	1	1300.40
6JW-05-90	PACKING, 90 DURO	2	15.34 ea
6JW-06	WEARBUSHING	1	59.31
40PG-07	HOUSING SEALS	2	30.81 ea
4CH-08	BEARING SPINDLE	1	1027.62
4SCW-09	SHIELD SEAL	1	60.09
4SCW-10	BEARING SHIELD	1	73.24
4SCW-12	BEARINGS (UPTHRUST AND DOWNTHRUST)	4	CONSULT
4CH-14	BEARING HOUSING	1	1005.71
15WX-15	HOUSING LOCK BOLT AND NUT	1	7.84
4SCW-16KE-RP	LOWER CONNECTION (4 1/2" IF RH PIN)	1	1457.85
4SCW-16JE-RP	LOWER CONNECTION (3 1/2" IF RH PIN)	Option	1707.85
5JW-17	SPINDLE THREAD SEAL	1	18.48
5CH-05A	CONNECTION, HOSE (3" NPT FEMALE)	1	879.29
OR-345-90	O RING (HOSE CONNECTION)	1	4.00

Other sizes of connections available, please consult factory.

Option for above swivel, may affect pricing of complete swivel. Other options available, please consult factory.



83A