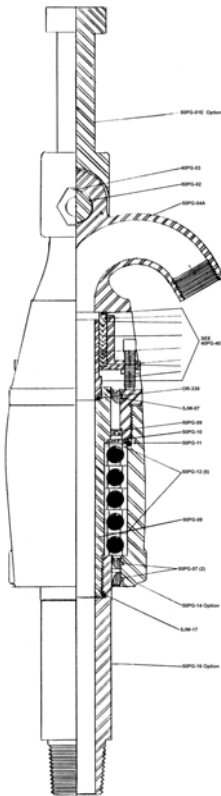


# 50PG SWIVEL



- For DEEP WATER WELL, WORKOVER, and SHALLOW OIL WELL Drilling
- Hardened ground WASHPIPE and CHEVRON (V-Ring) PACKING, grease lubricated
- Oversized WATERCOURSE, 3" ID
- Flexible BAIL or ELEVATOR SHANK available
- Adjustable Packing
- Packing can be changed quickly without disassembling swivel.
- Thrust ball bearings support drill pipe load while providing radial capacity.
- Seal Bearing Case with grease lubrication
- TRUNNION PINS available for pull down rigs
- Large choice of optional Lower Connections Threads
- Designed for easy field service and maintenance

### TECHNICAL

MODEL #	LENGTH OVERALL	WT/LBS EACH	HOSE CONN. FEMALE	LOWER CONN* PIN	WATER COURSE	WORKING PRESSURE	BAIL OPENING
50PG	63"	512	3" NPT	4-1/2" REG. LH	MAX. 3" ID	To 1500 PSI	7" X 16"

### SAFE WEIGHT LOADS

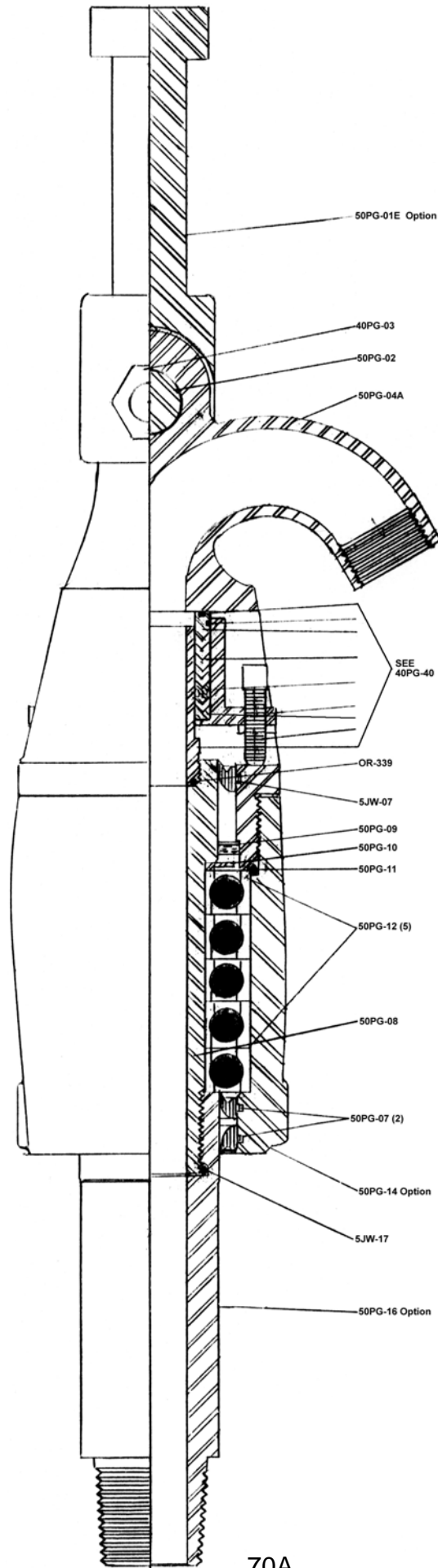
MODEL #	STATIC LOAD	ROTATING LOAD	SAFE DEPTH			
			2-3/8", 6.65	2-7/8", 10.4	3-1/2", 13.3	4-1/2", 16.6
50PG	160,000 LBS	87,000 LBS. @ 100 RPM	10,000 FT	6,200 FT	4,800 FT	3,800 FT

### PARTS LIST

PART NUMBER	NAME	QTY. REQ.	PRICE
<b>50PG-6300-XX</b>	WESTERN SWIVEL, LESS BAIL, 3" NPT FEMALE HOSE CONNECTION. WITH 4 1/2" REGULAR LH PIN LOWER CONNECTION		10,347.83
	ADD FOR BAIL		1705.63
	ADD FOR ELEVATOR SHANK (3 1/2" OR SMALLER)		2614.35
	ADD FOR PULLDOWN TRUNNION PINS		950.00
	ADD FOR 6 5/8" REGULAR LH PIN LWR. CONN.		750.00
50PG-01	BAIL	Option	1705.63
50PG-01E	ELEVATOR SHANK (3 1/2" OR SMALLER)	Option	2614.35
50PG-02	BAIL PIN	1	396.99
40PG-03	BAIL PIN NUTS	2	35.73 ea
50PG-04A	GOOSENECK, 3" NPT FEMALE HOSE CONNECTION	1	3229.21
5JW-07	UPPER HOUSING SEAL	1	26.22
50PG-07	LOWER HOUSING SEAL	2	27.15 ea
50PG-08	BEARING SPINDLE	1	1869.75
50PG-09	FELT SEAL	1	13.66
50PG-10	BEARING SHIELD	1	98.11
50PG-11	BEARING RETAINER WIRE	1	18.03
50PG-12	BEARINGS	5	428.03 ea
50PG-14	BEARING HOUSING	1	3095.54
50PG-14A	BEARING HOUSING WITH TRUNNION PINS	Option	4045.54
15WX-15	HOUSING LOCK BOLT AND NUT	1	7.84
50PG-16KF-LP	LOWER CONNECTION, 4 1/2" REGULAR LH PIN	1	2252.49
50PG-160F-LP	LOWER CONNECTION, 6 5/8" REGULAR LH PIN	Option	3002.49
5JW-17	SPINDLE THREAD SEAL	1	18.48
40PG-40	PACKING CAPSULE	1	1021.29

Other sizes of connections available, please consult factory.

Option for above swivel, may affect pricing of complete swivel. Other options available, please consult factory.



70A