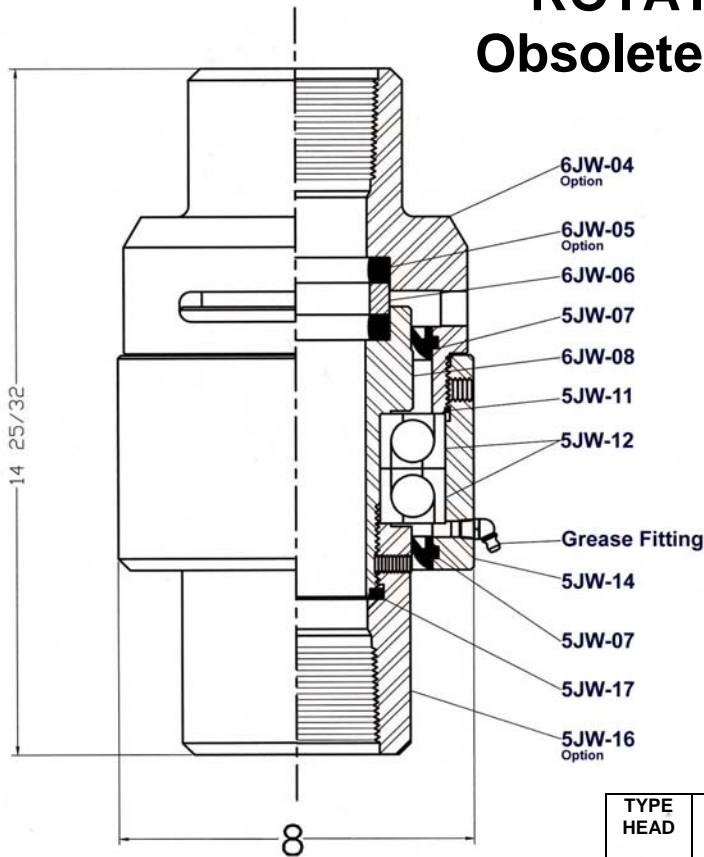


6JW ROTATING HEAD Obsolete – Parts Only



- Fluid Passage – 3” Maximum
- Compact Design
- Thrust Ball Bearings for pressure and radial load support
- Choice of hose and lower connection threads
- Easy field maintenance and repair
- Working Pressure to 300 PSI

WEIGHTS AND DIMENSIONAL DATA

TYPE HEAD	WORKING PRES.	LENGTH INCHES	WT/LBS	LOWER CONN.* LH OR RH BOX OR PIN	HOSE CONN.	WATER COURSE
6JW	300	14 ½”	70	3” NPT or 4”	3” or 4”	3”

PARTS LIST

PART NUMBER	DESCRIPTION	WT/LBS	NUMBER REQ.	PRICE
6JW-04	GOOSENECK, 3” NPT FEMALE HOSE CONNECTION	18.00	1	754.45
6JW-04A	GOOSENECK, 4” NPT MALE HOSE CONNECTION	18.50	OPTION	931.41
6JW-05	+ PACKING	.25	2	15.34 ea
6JW-05-90	PACKING, 90 DURO	.25	OPTION	15.34 ea
6JW-05V	PACKING, VITON	.25	OPTION	59.33 ea
6JW-06	+ WEARBUSING	1.00	1	59.31
6JW-08	BEARING SPINDLE	8.00	1	527.44
5JW-07	+ HOUSING SEAL	.25	2	26.22 ea
5JW-07V	VITON PACKING	.25	OPTION	65.35 ea
5JW-11	BEARING RETAINER WIRE	.10	1	12.88
5JW-12	+ BEARING	8.00	2	279.26 ea
5JW-14	BEARING HOUSING	10.00	1	663.63
5JW-16HA-LB**	LOWER CONNECTION, 3” NPT LH BOX		1	452.93
5JW-16HA-RP	LOWER CONNECTION, 3” NPT RH PIN	15.00		452.93
5JW-17	+ SPINDLE THREAD SEAL	.25	1	18.48
6JW-40	MAINTENANCE KIT (8) 6JW-05, (1) 6JW-06			172.93
6JW-40R	REPAIR KIT + Included in Repair Kit			683.46

Other sizes of connections available, please consult factory.

Option for above swivel, may affect pricing of complete swivel. Other options available, please consult factory.

