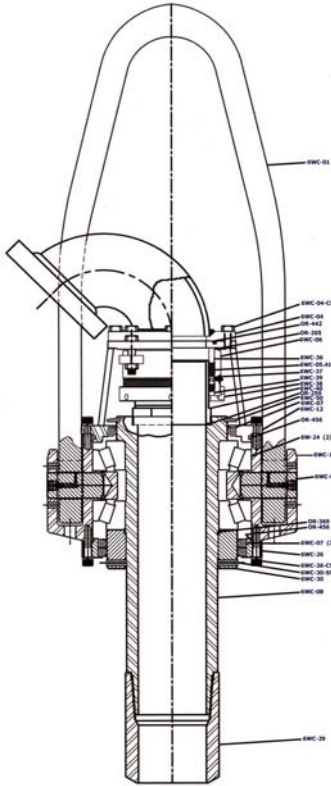


# 6WC

## “SPECIAL SWIVEL”

The 6WC is designed for the Water Well, Irrigation, and the Construction Drilling market. This compact swivel with its 6” ID watercourse can be used for both Conventional and Reverse Circulation drilling.



### FEATURES IN BRIEF

- LARGE WATERCOURSE, full 6” ID
- QUICK CHANGE packing box.
- EQUAL HOISTING and PULLDOWN capacity.
- ADJUSTABLE BEARINGS and PACKING.
- 2” NPT female air line connection.
- WELD BEVELED SUB furnished for Kelly connection.

STATIC LOAD CAPACITY	ROTATING LOAD CAP. @ 35 RPM	WORKING PRESSURE	HOSE CONNECTION	WT/LB	WORKING LENGTH
175,000 LBS.	80,000 LBS.	To 1500 PSI	6” FLANGE	775	60”

### PARTS LIST

PART NUMBER	DESCRIPTION	WT/LBS	QTY. REQ.	PRICE
<b>6WC-5000-XX</b>	WESTERN SWIVEL, 6” WATERCOURSE, 6” FLANGE HOSE CONN. WITH 2” NPT FEMALE AIR LINE CONN. WITH 6” MODIFIED LH PIN LOWER CONNECTION FURNISHED WITH SAVER SUB, BEVELED FOR WELDING, DRILLED FOR TORQUE FLANGES			16,588.00
6WC-01	BAIL	105.00	1	1712.04
6WC-02	BAIL PINS	8.00	2	260.57 ea
6WC-02A	BAIL PIN RETAINER	1.00	2	17.54 ea
6WC-04	GOOSENECK	75.00	1	1535.91
6WC-04-CS	CAP SCREWS W/LOCK WASHER (GOOSENECK)	.50	8	8.18 ea
6WC-05	PACKING SET	2.00	Option	142.30
6WC-05-416	PACKING SET (LOW PRESSURE)	2.00	1	142.30
6WC-06	PACKING BOX	12.00	1	840.13
6WC-07	HOUSING SEAL	2.00	3	196.36 ea
6WC-08	SPINDLE	125.00	1	3606.72
6WC-12	BONNET	75.00	1	2242.35
6WC-12-CS	CAP SCREW W/LOCK WASHER (BONNET)	.50	8	8.51 ea
6WC-16	BEARING HOUSING	120.00	1	4312.22
6WC-24	MAIN BEARING	60.00	2	CONSULT ea
6WC-26	LOWER OIL BOX	15.00	1	907.05
6WC-26-CS	CAP SCREW W/LOCK WASHER (LOWER OIL BOX)	.20	6	7.06 ea
6WC-29	SUB BEVELED FOR WELDING	60.00	1	1454.35
6WC-30	BEARING ADJUSTING NUT	8.00	1	784.14
6WC-30-SS	SET SCREW (BRG. ADJUSTING NUT)	.20	4	4.48 ea
6WC-36	PACKING GLAND	2.00	1	227.74
6WC-37	LANTERN RING	2.00	1	168.02
6WC-38	PACKING ADJUSTING GLAND	7.00	1	495.30
6WC-39	PACKING SEAT RING	1.50	1	161.78
6WC-40	WASHPIPE	8.00	1	467.82
OR-259	O’RING (WASHPIPE)	.10	1	4.00
OR-369	O RING (SPINDLE/BRG ADJ NUT)	.10	1	4.00
OR-265	O’RING (PACKING BOX)	.10	1	4.00
OR-456	O’RING (LWR. OIL BOX, BONNET)	.10	2	4.00 ea
OR-442	O’RING (GOOSENECK)	.10	1	4.00
6WC-41	SPANNER WRENCH, WASHPIPE	6.00	1	75.26
6WC-42	TORQUE FLANGES	5.20	Option	333.48
6WC-50	SLINGER RING	.25	1	24.35

Other sizes of connections available, please consult factory.

Option for above swivel, may affect pricing of complete swivel. Other options available, please consult factory.

