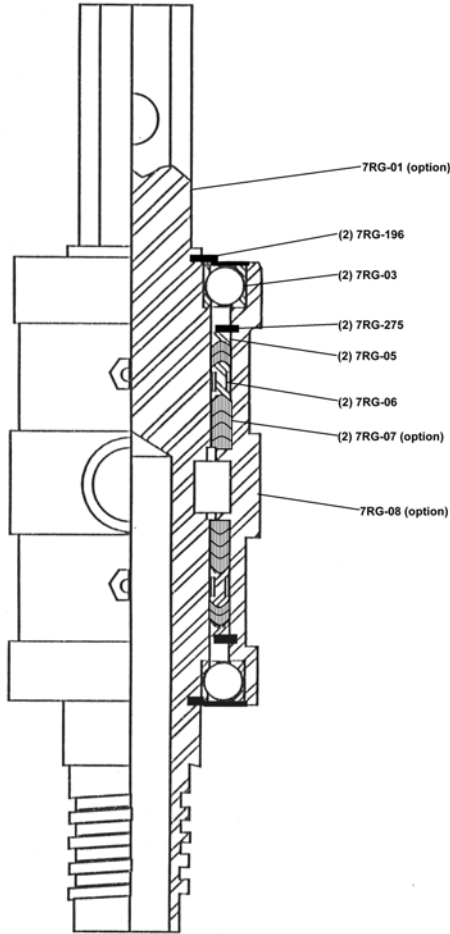


# SIDE INLETS “SPECIAL SWIVEL” 7RG



- Manufactured from a high grade alloy steel
- WORKING PRESSURES TO 2000 PSI
- Can be used for mud and air drilling
- Proven CHEVRON PACKING, V-Ring
- Radial sealed ball bearing for smooth rotation
- Can be repaired if necessary in the field.
- Large selection of top and bottom connections

### TECHNICAL DATA

MODEL# LENGTH	OVERALL	WIDTH	WEIGHT LBS.	UPPER* CONN.	HOSE CONN.	LOWER * CONN.	WATER COURSE
7RG	12"	3-1/2"	15	1-5/8"	1"	AW PIN	5/8"

### PARTS LIST

PART NAME	DESCRIPTION	WT/LB EACH	QTY REQ	PRICE
<b>7RG-4010-XX</b>	WESTERN SIDE INLET, 1 5/8" MALE HEX TOP CONN., 1" NPT FEMALE HOSE CONNECTION WITH AWJ RH PIN LOWER CONNECTION			814.00
	ADD FOR "SPECIAL STEM"			275.00
7RG-01QAW-RP	STEM, 1 5/8" MALE HEX BY AW RH PIN	9.00	1	731.27
7RG-01QAWJ-RP	STEM, 1 5/8" MALE HEX BY AWJ RH PIN	9.00	OPTION**	456.27
7RG-03	BEARINGS	.70	2	36.09 ea
7RG-05	SEAT RING, PACKING	.30	2	47.04 ea
7RG-06	LANTERN RING	.30	2	70.83 ea
7RG-07	PACKING SET W/MALE ADAPTER	.40	2	39.98 set
7RG-07-416	PACKING SET (LOW PRESSURE) W/ MALE ADAPTER	.40	OPTION	61.97 set
7RG-08A	PACKOFF BOX, 1" NPT FEMALE	6.00	1	328.25
7RG-02	RETAINER, BEARING	.10	2	2.18 ea
7RG-275	RETAINER, PACKING	.10	2	4.87 ea

Other sizes of connections available, please consult factory.

Option for above swivel, may affect pricing of complete swivel. Other options available, please consult factory.

