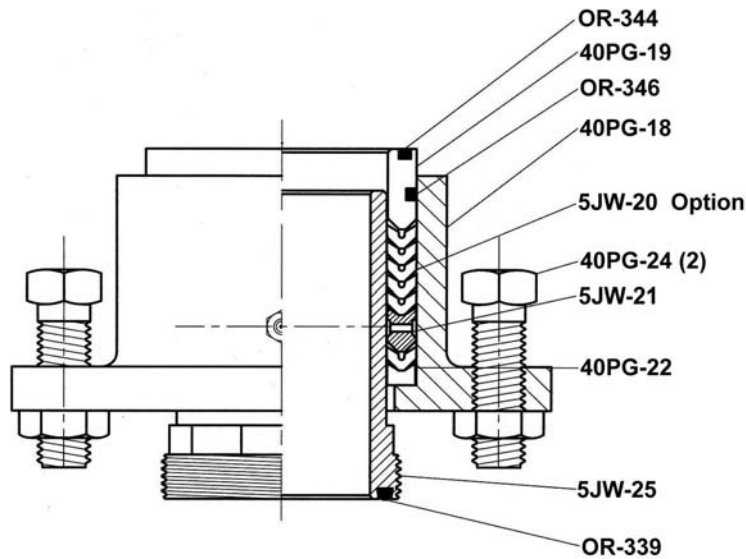


## PACKING ASSEMBLY FOR 30 PG, 40 PG, 50 PG SWIVEL



- Fits all KG and PG swivels
- Grease lubricated Chevron V-Ring Packing
- Adjustable

### PARTS LIST

PART NUMBER	NAME	QTY. REQ.	PRICE
<b>40PG-40</b>	PACKING ASSEMBLY (COMPLETE)	1	1021.29
40PG-18	PACKING BOX	1	650.66
40PG-19	PACKING GLAND	1	124.60
5JW-20	PACKING SET	1	52.42
5JW-20-416	PACKING SET (LOW PRESSURE)	Option	78.88
5JW-21	LANTERN RING	1	112.39
40PG-22	PACKING SEAT RING	1	79.36
40PG-24	PACKING ADJUSTING SCREW AND NUT	2	13.94 ea
5JW-25	WASHPIPE	1	217.30
OR-339	O RING (WASHPIPE)	1	4.00
OR-344	O RING (PACKING GLAND)	1	4.00
OR-346	O RING (PACKING GLAND)	1	4.00

Other sizes of connections available, please consult factory.

Option for above swivel, may affect pricing of complete swivel. Other options available, please consult factory.

